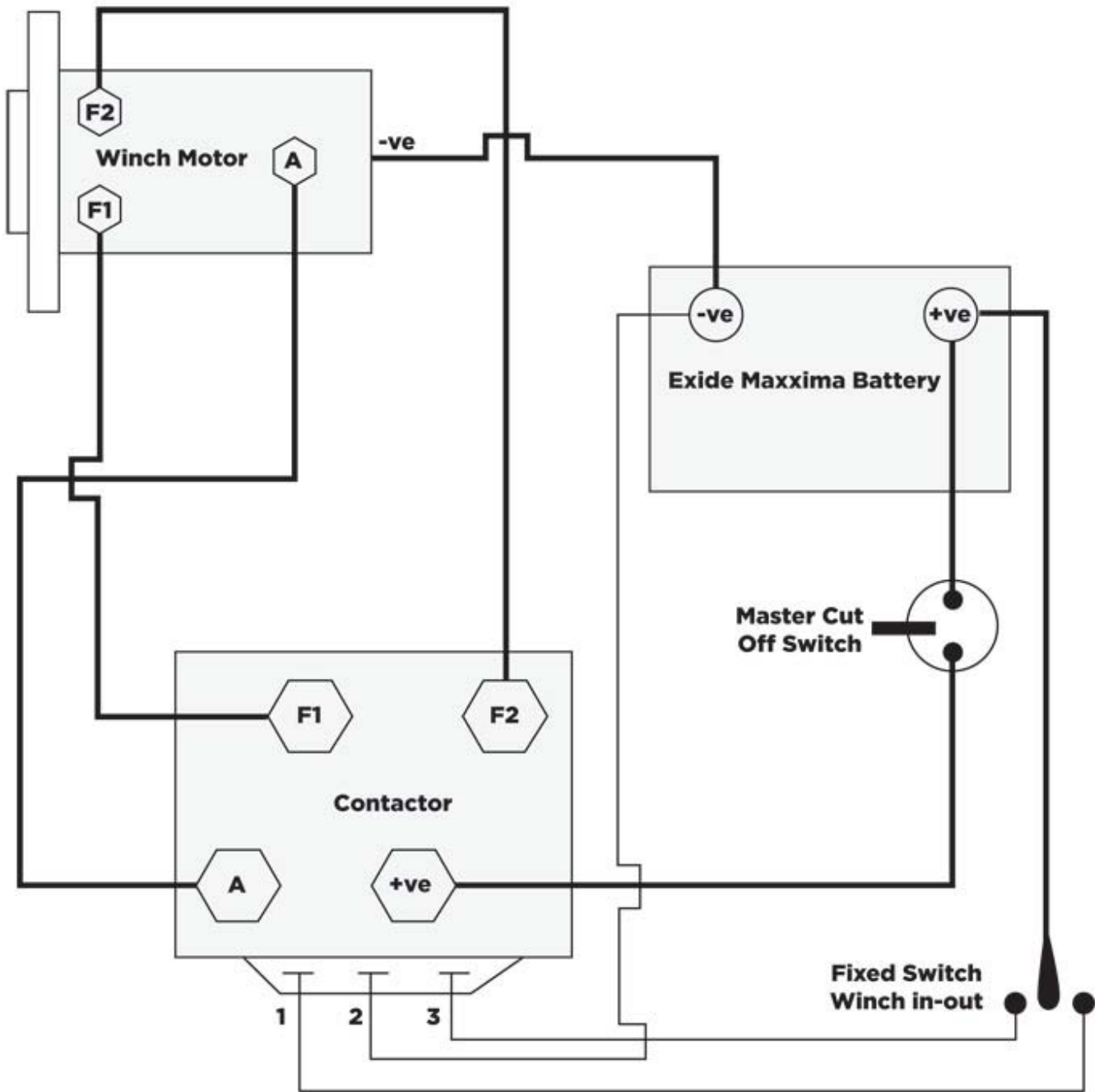


UNIVERSAL CONTACTOR WIRING - WINCH APPLICATIONS



Contactor Mounting

Mount either horizontally or vertically (terminals must point upwards).

Cable Recommendations

ATV, Quads	16.0mm	110 amp cable
Up to 8000lbs	25.0mm	170 amp cable
8500lbs +	40.0mm	300 amp cable
Twin motor & competition	60.0mm	415 amp cable

All wiring accessories available on www.extreme4x4.co.uk

Winch Control

Switch & remote	2.0mm	17.5 amp cable
-----------------	-------	----------------